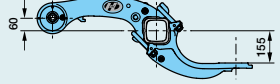
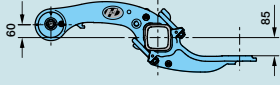





ECO Air COMPACT HD with drum brake SN 4218

ECO Plus 3 / type HD

Air suspension

ride height (empty without air)	Hanger bracket height	versions
145 - 175 mm	ST = 205 mm	ACAU (HD) hooked H = 60 mm / cranked K = 155 mm 
185 - 215 mm		ACAM (HD) hooked H = 60 mm / cranked K = 85 mm 
240 mm		ACBM (HD) hooked H = 130 mm / cranked K = 85 mm 
270 - 300 mm		ACBO (HD / HD335) hooked H = 130 mm / cranked K = -10 mm 
330 - 390 mm	ST = 290 mm	

1 Air bag

not mounted or mounted

type	offset
30 / 30K	V = 20 mm
30 / 30K	V = 0 / 20 / 60 mm
36 / 36K	V = 80 mm
36	V = 45 / 80 mm
36-1	V = 45 / 80 mm

2 ABS

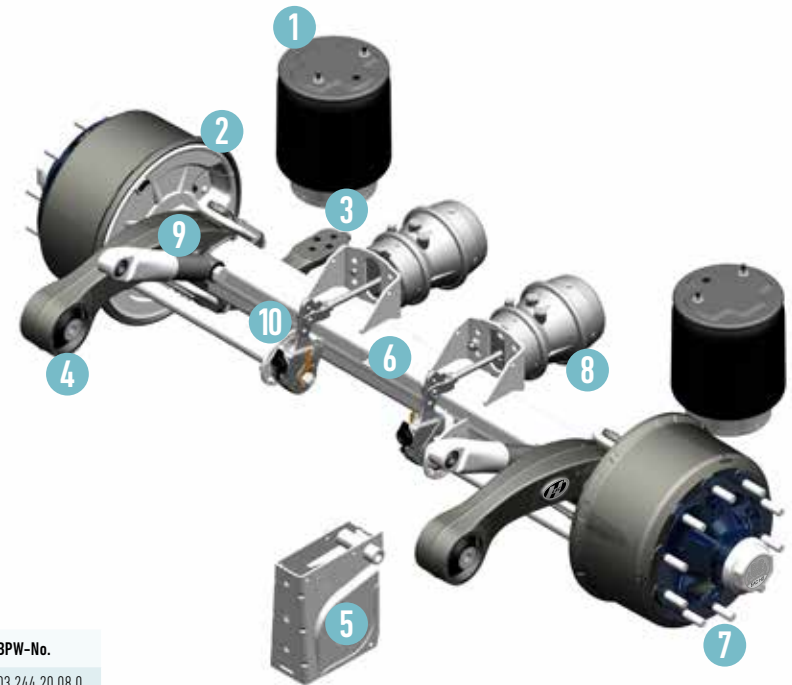
with ABS-Sensor and exciter ring
without ABS-Sensor and exciter ring

3 Air bag beam

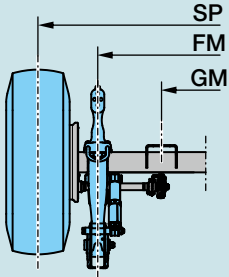



type	cranked	BPW-No.
U-HD	K = 155 mm	03.244.20.13.0
M-HD	K = 85 mm	03.244.20.14.0
O-HD	K = -10 mm	03.244.20.15.0

type	cranked	BPW-No.
0-HD335	K = -10 mm	03.244.20.08.0



Track / Booster bracket centre / Spring centre

	
Track SP 2010 mm 2040 mm 2095 mm 2140 mm	Booster bracket centre 379 mm 409 mm 464 mm 509 mm
	Spring centre 1200 / 1300 mm 1200 / 1300 mm 1300 mm 1300 / 1400 mm

4 Trailing arm A / B



type	hooked	BPW-No.
A-HD	H = 60 mm	05.244.20.10.0
B-HD	H = 130 mm	05.244.20.12.0

5 Hanger bracket

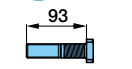
not mounted or mounted

ST	BPW-No.
205 mm	05.375.50.01.0
290 mm	05.375.50.02.0

6 Axle beam

square 120 x 10 mm



7 Wheel bolt



BPW-No.
03.296.33.21.1

8 Brake cylinder

not mounted: everything is possible
mounted:
only these types

M/M	M
	
16 / 24 "	20 "
20 / 30 "	24 "
24 / 30 "	30 "
30 / 30 "	

9 Shock absorber

not mounted or mounted

L min. / L max.	BPW-No.
287 / 412 mm	02.3732.05.02
292 / 432 mm	02.3732.07.02
326 / 496 mm	02.3732.08.02
351 / 541 mm	02.3732.06.02

10 Automatic slack adjuster

BPW-No.
05.174.82.67.3



Two-sided lifting device (not mounted)

05.828.32.05.0 (hooked H = 60 mm)
05.828.32.06.0 (hooked H = 130 mm)



One-sided lifting device (not mounted)

05.828.32.07.0



Wheel nuts

not mounted



Special equipment which is not mentioned here cannot be added to the range of delivery of EAC (e.g. preparation tyre pressure controlsystem).