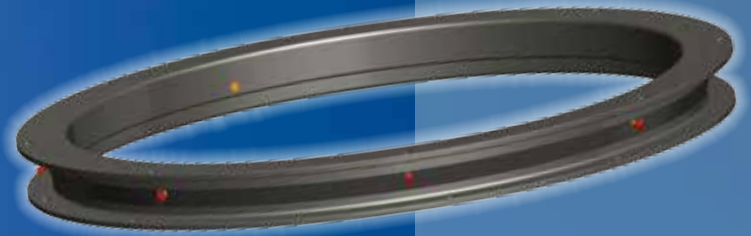


Double-row Ball Bearing Turntables

JOST

Extremely robust,
strong and durable





Double-row ball bearing turntables – robust, strong and durable

The double-row ball bearing turntables enable the rotation of the pivot support towards the trailer frame. The lower ring is bolted on to the A-frame and the upper ring/inner ring is bolted to the chassis. Thanks to the functional design, the axial loads are ideally supported and the thrust and tractive forces which occur when driving are transmitted in an optimal fashion.

Premium force transmission for the highest demands

- The extra large support balls transmit the axial loads over a wide area directly onto the vertical bar of the ring parts
- Horizontal forces in pull or push direction, as well as the moment load resulting from braking and centrifugal forces, are supported by the interplay of the two ball rows
- Lifting forces are transmitted by the smaller radial ball
- Optional fastening using splined bolts, making additional welding of thrust plates unnecessary

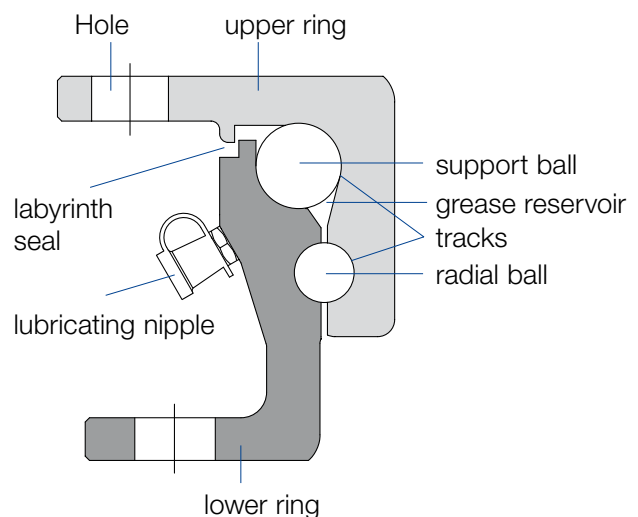
Durable construction with very little wear

- The use of high-strength steel ensures the greatest possible surface quality
- A robust labyrinth seal protects the tracks from dirt, even in extreme conditions
- The particularly large grease reservoir resulting from the free space between the tracks guarantees smooth running thanks to optimum lubrication
- 8 lubrication points enable the best possible distribution of grease within the tracks with just minimal rotation (+/- 20°) during lubrication
- Optionally available with pre-assembled lubrication block to ensure ideal access to the lubrication points or as preparation for connection to a central lubrication system



Scope of delivery

- E-coated
- Labyrinth seal
- Drilled / undrilled
- Special drill templates available on request
- Lubrication manifold (optional)
- Splined bolts (optional)

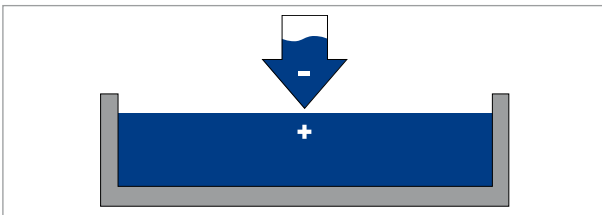




Innovative technology, proven quality

E-coating

- Premium corrosion protection
- Additional top coat on request



Verified safety

- Tested in accordance with ECE R55
- Environmental management in accordance with ISO 14001
- Quality management in accordance with ISO/TS 16949

Mounting kit KLE0000500 (Hole pattern 1)

Description	per kit
Hexagon screw M16x1,5x55	16
Hexagon nut M16x1,5	16
Stop block	8

Mounting kit KLE0000600 (Hole pattern 2)

Description	per kit
Hexagon screw M16x1,5x55	24
Hexagon nut M16x1,5	24
Stop block	8

Central lubrication manifold

- Makes lubrication easier
- Makes connection to central lubrication system easier
Item number KLE 0000200



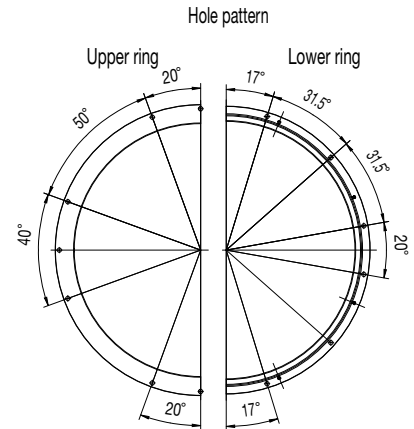
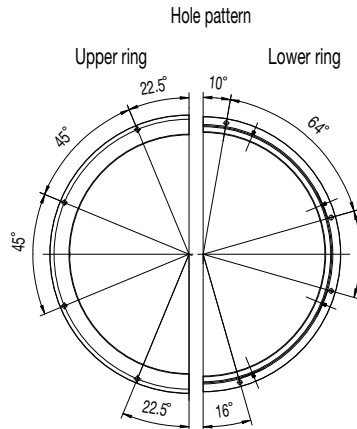
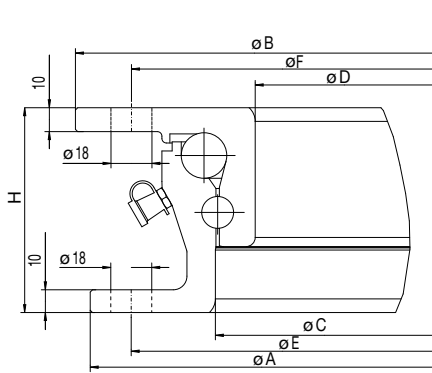
High performance lubricant

- JOST high performance lubricant for initial greasing or follow-up lubrication in a practical refill set
Item number SKE 005670000

Maintenance

JOST double-row ball bearing turntables are supplied with a thin base coating of lubricant. Before it is used for the first time the ball bearing turntable must be lubricated thoroughly. See JOST installation and operating instructions. Connection to the central vehicle lubrication system is possible (solid fat is required).

Technical Data



Selection table / Versions available

Typ	Order No. (drilled)	Order No. (undrilled)	Permitted axial load (kN)	A (mm)	B (mm)	C (mm)	D (mm)	E (mm)	F (mm)	H (mm)	Hole pattern	Weight (kg)
DR81100-10	KLKDR81100-10	KLKDR8000010K	100	1095	1108	976	960	1060	1074	80	1	72
DR1000-12	KLKDR1000-12	KLKDR2000010K	120	987	1000	868	842	952	966	90	1	73
DR1000-14	KLKDR1000-14	KLKDR4000010K	140	987	1000	868	842	952	966	90	1	73
DR1000-16	KLKDR1000-16	KLKDR4100010K	160	987	1000	868	842	952	966	90	1	73
DR1100-13	KLKDR1100-13	KLKDR4800010K	130	1095	1108	976	950	1060	1074	90	1	80
DR1100-16	KLKDR1100-16	KLKDR2100010K	160	1095	1108	976	950	1060	1074	90	1	80
DR1100-20	KLKDR1100-20	KLKDR4200010K	200	1095	1108	976	950	1060	1074	90	1	80
DR1200-10	KLKDR1200-10	KLKDR4500010K	100	1195	1208	1076	1050	1160	1174	90	1	90
DR1200-10	KLKDR45AE010K	KLKDR4500010K	100	1195	1208	1076	1050	1160	1174	90	2	90
DR1200-13	KLKDR1200-13	KLKDR4600010K	130	1195	1208	1076	1050	1160	1174	90	1	90
DR1200-13	KLKDR46AE010K	KLKDR4600010K	130	1195	1208	1076	1050	1160	1174	90	2	90
DR1200-16	KLKDR47AE010K	KLKDR4700010K	160	1195	1208	1076	1050	1160	1174	90	2	90
DR1200-20	KLKDR2202010K	KLKDR2200010K	200	1195	1208	1076	1050	1160	1174	90	1	90
DR1200-20	KLKDR1200-20	KLKDR2200010K	200	1195	1208	1076	1050	1160	1174	90	2	90
DR1200-26	KLKDR1200-26	KLKDR4300010K	260	1195	1208	1076	1050	1160	1174	90	2	92
DR1200-30	KLKDR1200-30	KLKDR4400010K	300	1195	1208	1076	1050	1160	1174	90	2	92

The axial loads specified can be exceeded by 20% at speeds of below 30 km/h. The axial loads specified are based on centric load introduction. Furthermore, these bearing turntables are only suitable for swivel movements. Please enquire about uses other than these.

The operating instructions of the respective vehicle must be observed when using double-row ball bearing turntables. In Germany, the TÜV regulations and the German Road Traffic Licensing Directive (StVZO) apply.

The axial loads specified for the KLKDR series are based on the pressure direction for vehicles travelling at a speed of up to 105 km/h.

All load data apply for operation in pivot support steering systems on paved roads and under the transport conditions common in Central Europe.